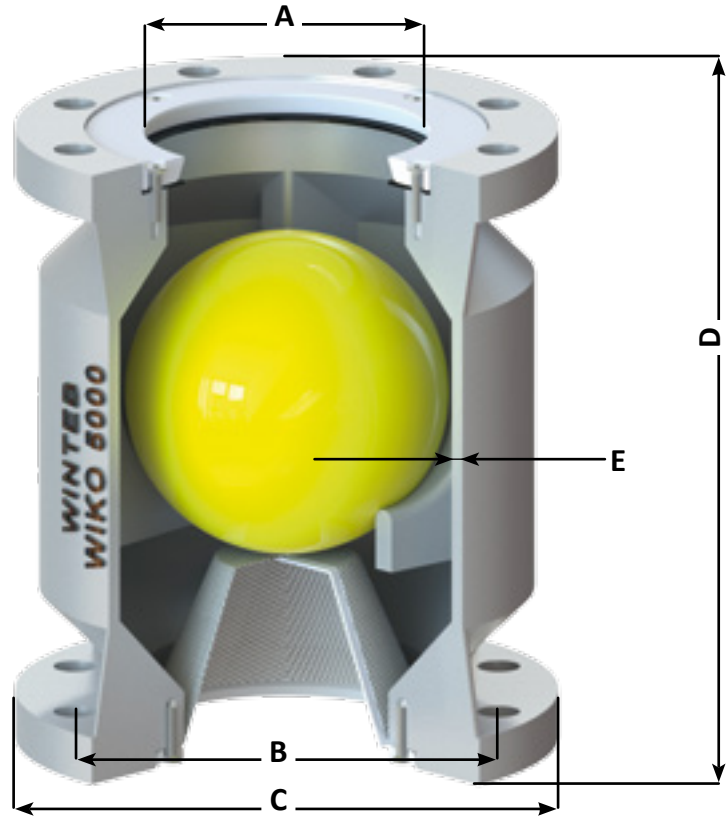


The world's largest producer of seawater resistant aluminium air pipe heads
Innovative and high quality products

WIKO5000 GOOSENECK TYPE 1B WITH SCREEN

Options:

1. Screen
2. Powder coating



	DN50 (2")	DN65 (2 ½")	DN80 (3")	DN100 (4")	DN125 (5")	DN150 (6")	DN200 (8")	DN250 (10")	DN300 (12")	DN350 (14")	DN400 (16")
A	Ø50	Ø65	Ø80	Ø100	Ø125	Ø150	Ø200	Ø250	Ø300	Ø350	Ø400
B	Flange connections according to international standards										
C											
D (mm)	170	200	225	255	290	330	405	490	560	625	700
E (mm)	6.5	6.5	6.5	7.5	7.5	8.0	8.5	8.5	10.0	10.0	10.0
Ball diameter	Ø60	Ø90	Ø90	Ø120	Ø145	Ø170	Ø227	Ø280	Ø325	Ø360	Ø400
Weight kg.	4	4	7	7	8	13	22	31	47	64	83
Flow rate at 0,25 bar(m3/h)*	27	44	74	114	166	271	444	605	935	1250	1760
Max. inlet air speed (m/s)	31	19.6	28.8	26.3	25.9	20.4	28.1	30	29.5	28.9	29.8
Inlet air flow rate at max. inlet air speed (m3/h)	223	216	504	720	1080	1260	3060	5040	7200	9000	13320

* Please note that these values correspond with the WIKO5000 Gooseneck type 1B with screen mesh18, flowrate is with water being pumped through the air pipe head

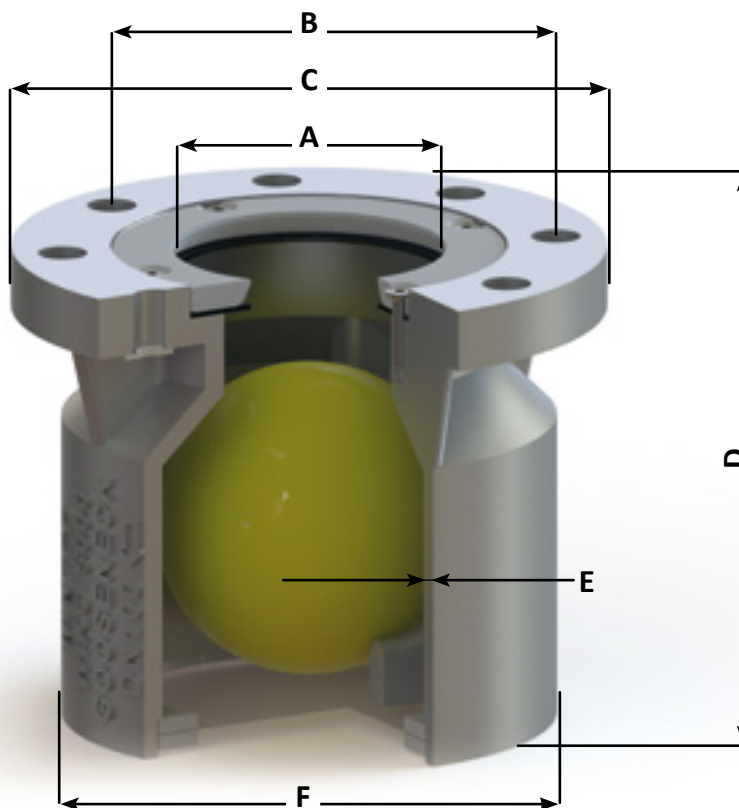
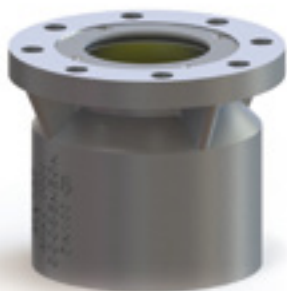
Made of seawater resistant Aluminium DIN1725 | Non corroding | Maintenance free | Smallest design available
No suction blocking | Cost saving | light weight = less fuel = less CO2 emission | Approved by all major classification societies

The world's largest producer of seawater resistant aluminium air pipe heads
Innovative and high quality products

WIKO5000 GOOSENECK TYPE 1

Options:

1. Screen
2. Powder coating



	DN50 (2")	DN65 (2 ½")	DN80 (3")	DN100 (4")	DN125 (5")	DN150 (6")	DN200 (8")	DN250 (10")	DN300 (12")	DN350 (14")	DN400 (16")
A	Ø50	Ø65	Ø80	Ø100	Ø125	Ø150	Ø200	Ø250	Ø300	Ø350	Ø400
B	Flange connections according to international standards										
C											
D (mm)	115	140	160	185	215	245	310	375	430	485	540
E (mm)	6.5	6.5	6.5	7.5	7.5	8.0	8.5	8.5	10.0	10.0	10.0
F (mm)	110	135	160	190	225	260	335	415	495	555	630
Ball diameter	Ø60	Ø90	Ø90	Ø120	Ø145	Ø170	Ø227	Ø280	Ø325	Ø360	Ø400
Weight kg.	2	2	3	4	5	7	16	23	36	53	66
Flow rate at 0,25 bar (m3/h)*	27	43	101	143	211	292	749	1280	1860	1510	2300
Max. inlet air speed (m/s)	30	19.5	27.6	26.1	25	22.3	29.1	29.8	29.9	28.5	25.6
Inlet air flow rate at max. inlet air speed (m3/h)	295	324	522	720	1080	1440	3240	5000	7560	9000	11520

* Please note that these values correspond with the WIKO5000 Gooseneck type 1 with screen mesh 18, flowrate is with water being pumped through the air pipe head

Investing in Winteb Air Pipe Heads is beneficial in the long term, saving maintenance, replacement and costs.
For more information and a complete overview of our product range, please check www.winteb.com